

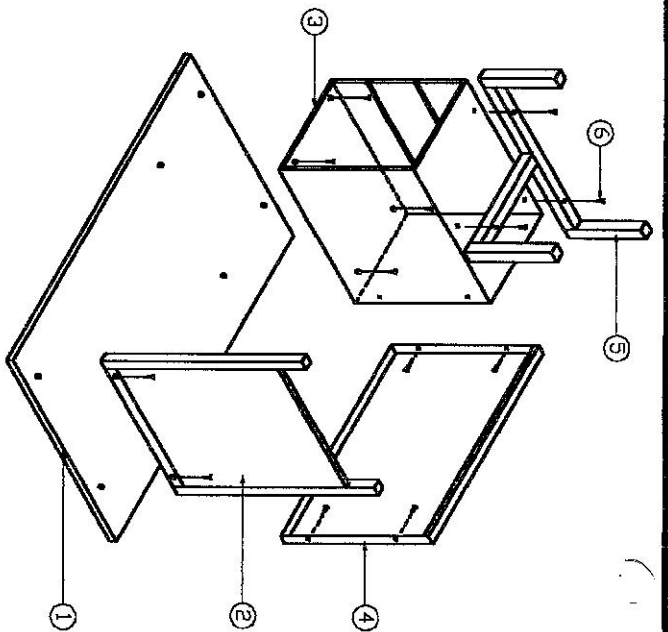
COMPONENT LIST

PART NO.	DESCRIPTION.
1	TABLE TOP
2	SIDE PANEL WITH LEG
3	PEDESTAL
4	BACK PANEL
5	LEG
6	SCREWS
7	END BUSH
8	DRAWER

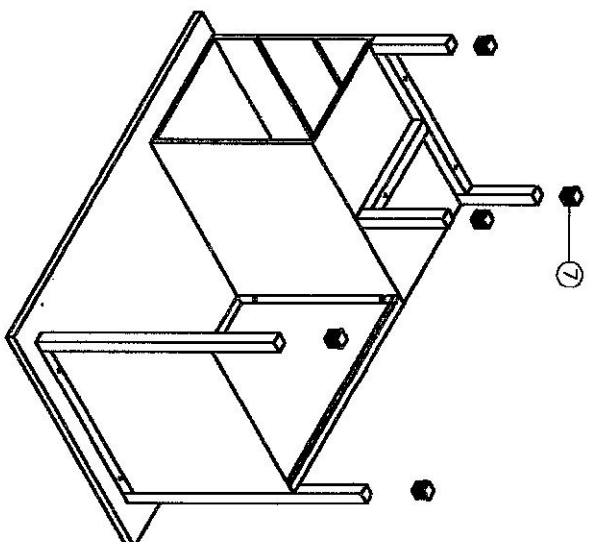
FITTING INSTRUCTIONS

1. Place table top face down on a clear surface or carpet
2. Remove drawers from the pedestal box.
3. Fix pedestal box on the table top as shown in step-1
4. Fix part-2 on the table top as shown in step-1
5. Fix part-4 between part-2 part-3
6. Fix part-5 (Leg) above of the pedestal box as shown in step-1
7. Fix end bush on legs as shown in step-2
8. Keep the table upright and insert the drawers, and ensure the drawers are not moving out of the rails while opening.

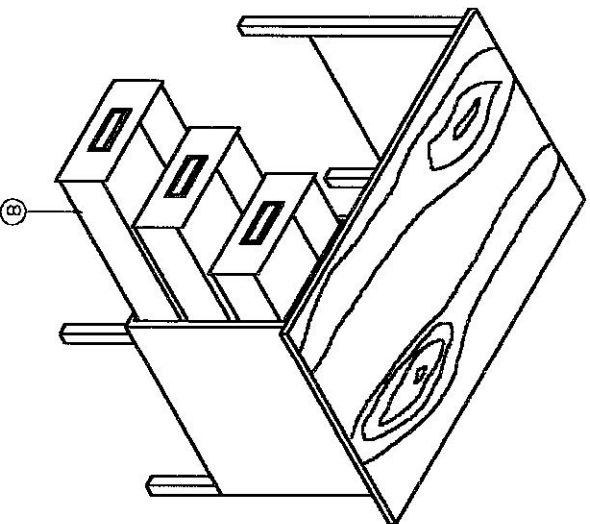
Note: The drawers to be replaced in the same sequence as supplied.



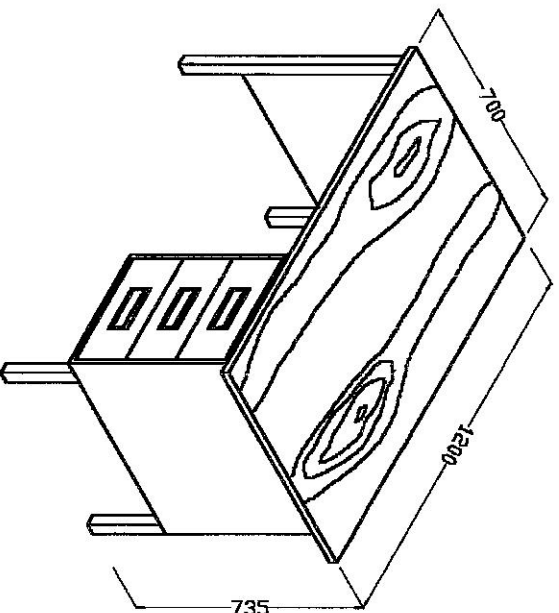
STEP. 1



STEP. 2



STEP. 3



ASSEMBLED VIEW